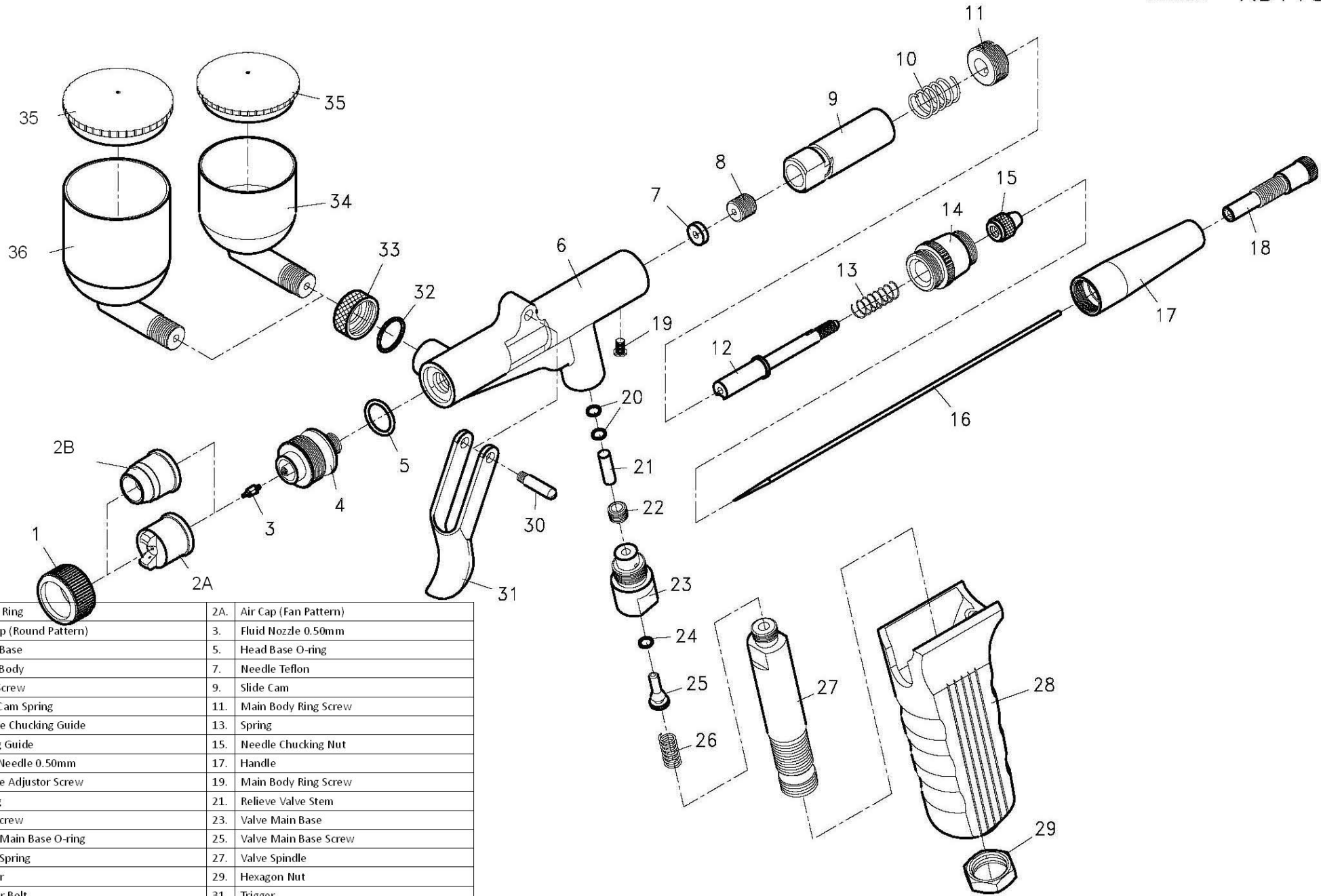




Model: AB118



1.	Cover Ring	2A.	Air Cap (Fan Pattern)
2B.	Air Cap (Round Pattern)	3.	Fluid Nozzle 0.50mm
4.	Head Base	5.	Head Base O-ring
6.	Main Body	7.	Needle Teflon
8.	Lock Screw	9.	Slide Cam
10.	Slide Cam Spring	11.	Main Body Ring Screw
12.	Needle Chucking Guide	13.	Spring
14.	Spring Guide	15.	Needle Chucking Nut
16.	Fluid Needle 0.50mm	17.	Handle
18.	Handle Adjustor Screw	19.	Main Body Ring Screw
20.	O-ring	21.	Relieve Valve Stem
22.	Seal Screw	23.	Valve Main Base
24.	Valve Main Base O-ring	25.	Valve Main Base Screw
26.	Valve Spring	27.	Valve Spindle
28.	Holder	29.	Hexagon Nut
30.	Trigger Bolt	31.	Trigger
32.	Side-Cup O-ring	33.	Side-Cup Nut
34.	7cc Side Cup	35.	Cup Lid
36.	12cc Side Cup		